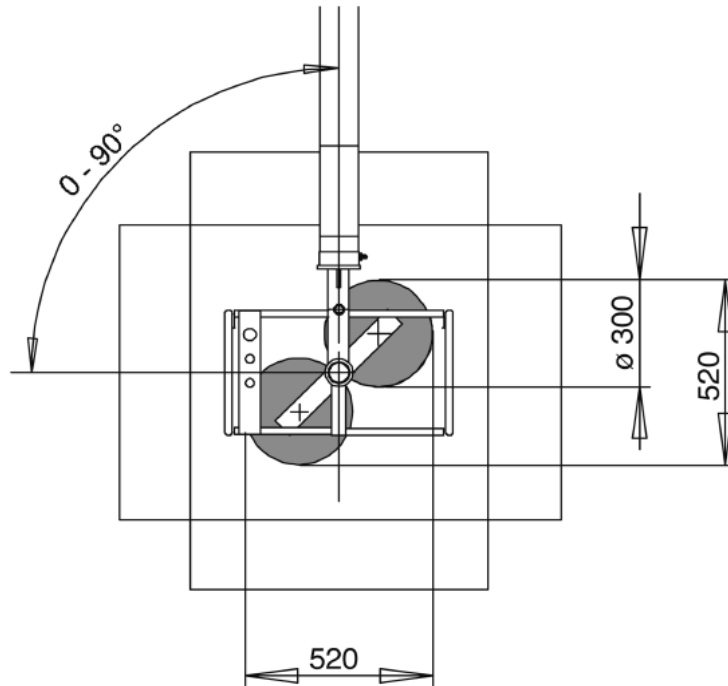


## Cylinderlift ZLD 250

### Vacuum lifter for the vertical rotation

- ◆ Economic glass handling at vertical insulating glass lines
- ◆ Possible functions: lifting and turning
- ◆ Safe working load: 250 kg
- ◆ Especially for smaller units (up to approx. 2 m<sup>2</sup>)
- ◆ Easy to use





Technical data	
Safe working load	250 daN (kg)
Suspended from	trolley
Stroke	by pneumatic cylinder
Vacuum generation	Venturi with: – automatic sucking – self-holding system in case of pressure drop – automatic economy system (compressed air)
Rotation of load	0 – 90° pneumatically
Horizontal rotation of lift	0 – 360° manually
Suction cups	2 x Ø 300 mm
Min. glass size	550 x 550 mm
Max. glass size	recommended up to approx. 2 m <sup>2</sup>
Compressed-air supply	6 bar 3/4" coupler socket 1/4"
Air consumption	automatic economy operation
Own weight	approx. 50 kg
Standard colour	white aluminium RAL 9006