

Electric chain hoist SK for wind energy turbines

For loads up to 1,000 kg

Electric chain hoist SK, wind power

Optimal solution.

With the attributes of flexibility, power and compactness, the SK electric chain hoist is ideal for use in wind energy turbines. Compact dimensions and a standard lifting height of up to 140 metres are perfect prerequisites. High lifting speeds and a safety clutch as overload protection guarantee safe and efficient operation.

The robust chain bag was specially developed for areas where particularly long chains are used. Custom designs are also possible for special fields of operation. The robust construction and the transmission tested for longevity assure reliable and economically efficient operation. Well over a thousand chain hoists in use worldwide underline the know-how of SWF Krantechnik.

Standard equipment:

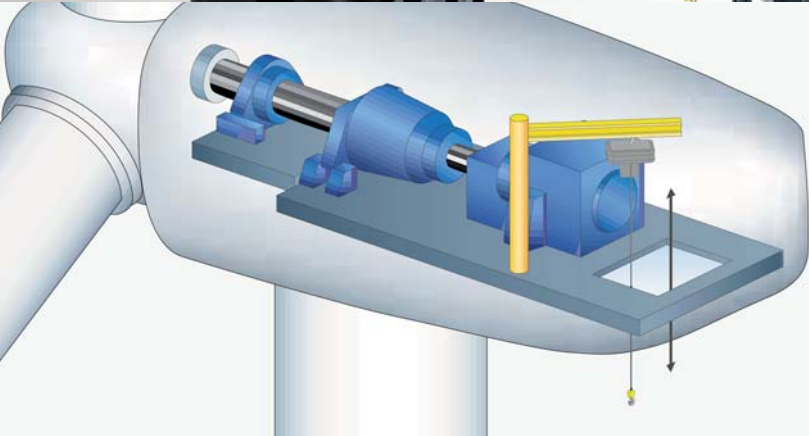
- Two lifting speeds
- Thermal protection for hoist motor
- Operating voltage 400V/3ph/50Hz
- Control voltage 48V
- Protection rating IP55
- Control cable 3m
- Emergency stop button on control pendant
- Upper and lower hoisting limit switch
- Galvanised lifting chain, strength class T
- Push travel trolley with locking brake

Options:

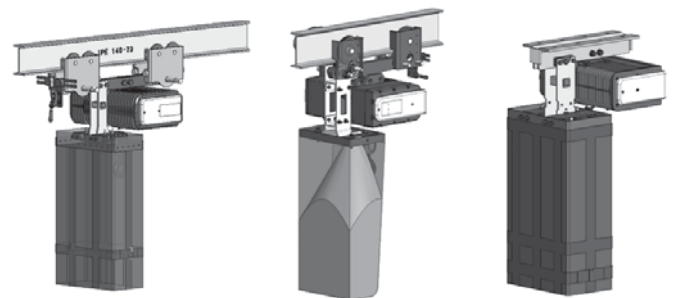
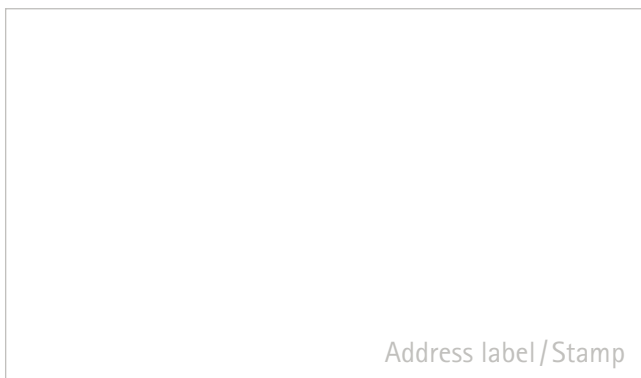
- Electric motor trolley
- Thermal protection for travel motor
- Radio remote control
- Special suspensions
- Insulation for tropics
- Special voltages from 230V to 690V in 50Hz or 60Hz, 3ph
- Hook suspension
- Jib cranes and crane systems



SK electric chain hoist for wind energy turbines for efficient and economical operation at great heights ...



Type	Load kg	Lifting speed m/min
SKB 240.12	125	24/6
SKB 240.12	180	24/6
SKB 160.12	250	16/4
SKC 320.12	320	32/8
SKC 160.12	500	16/4
SKC 110.12	800	11/3
SKD 160.12	1.000	16/4



Robust travel trolleys and suspensions

Look ahead!